

COMPUTER NETWORKS

Lisna Thomas

Department of Computer Application

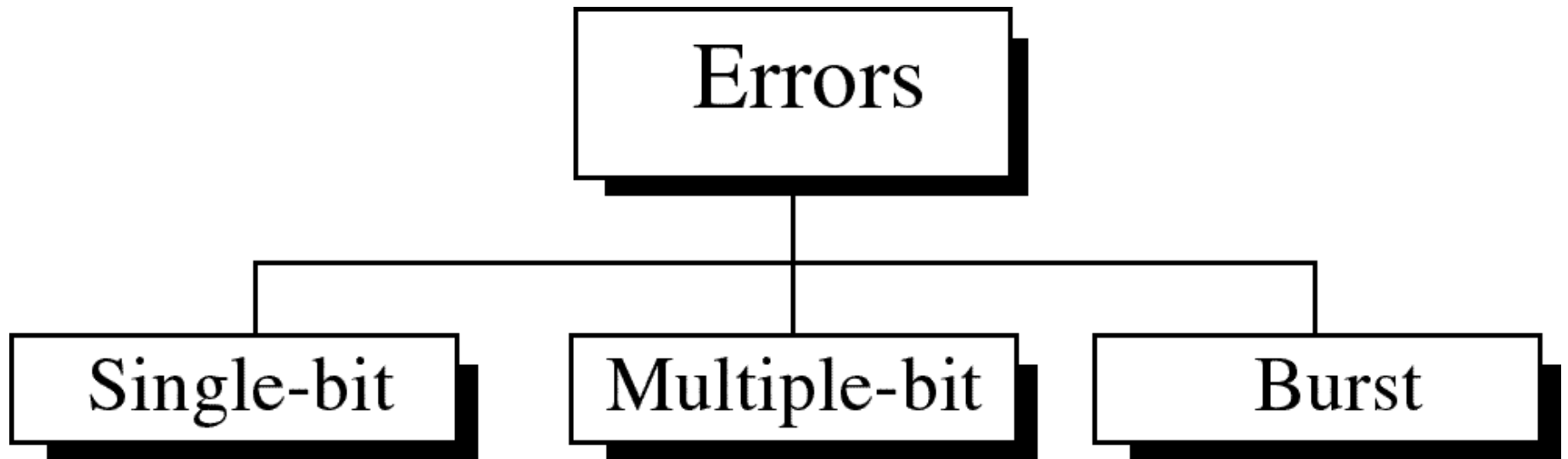
Error Detection and Correction

- **Types of Errors**
- **Detection**
- **Correction**

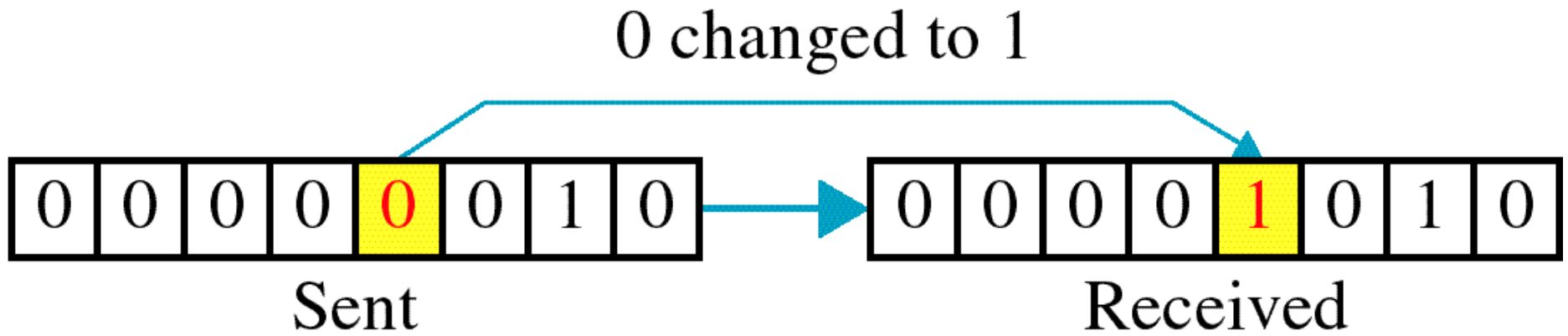
Basic concepts

- ★ Networks must be able to transfer data from one device to another with complete accuracy.
- ★ Data can be corrupted during transmission.
- ★ For reliable communication, errors must be detected and corrected.
- ★ **Error detection and correction** are implemented either at the **data link layer** or the **transport layer** of the OSI model.

Types of Errors



Single-bit error

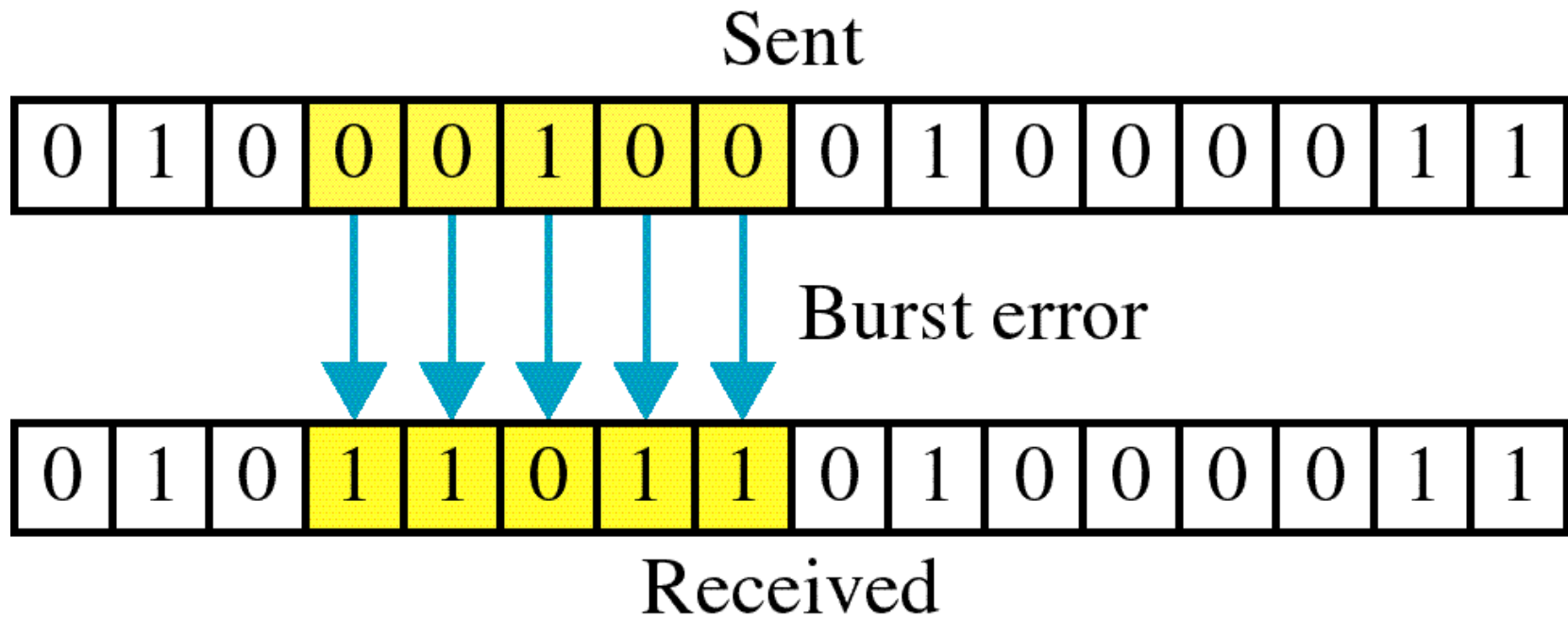


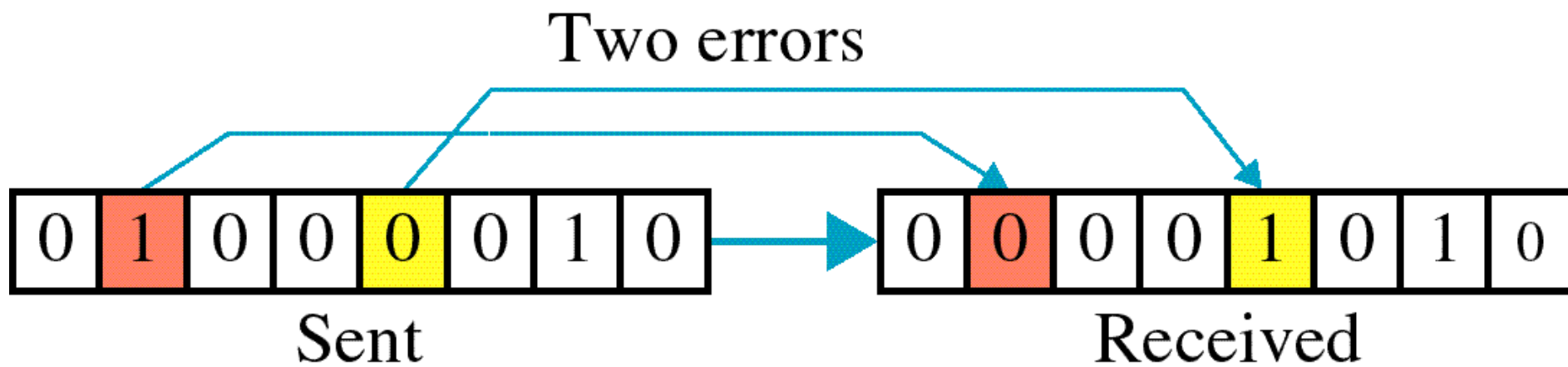
Single bit errors are the **least likely** type of errors in serial data transmission because the noise must have a very short duration which is very rare. However this kind of errors can happen in parallel transmission.

Example:

- ★ If data is sent at 1Mbps then each bit lasts only $1/1,000,000$ sec. or $1 \mu\text{s}$.
- ★ For a single-bit error to occur, the noise must have a duration of only $1 \mu\text{s}$, which is very rare.

Burst error





The term **burst error** means that two or more bits in the data unit have changed from 1 to 0 or from 0 to 1.

Burst errors does not necessarily mean that the errors occur in consecutive bits, the length of the burst is measured from the first corrupted bit to the last corrupted bit. Some bits in between may not have been corrupted.

- ★ **Burst error is most likely to happen in serial transmission** since the duration of noise is normally longer than the duration of a bit.
- ★ The number of bits affected depends on the data rate and duration of noise.

Example:

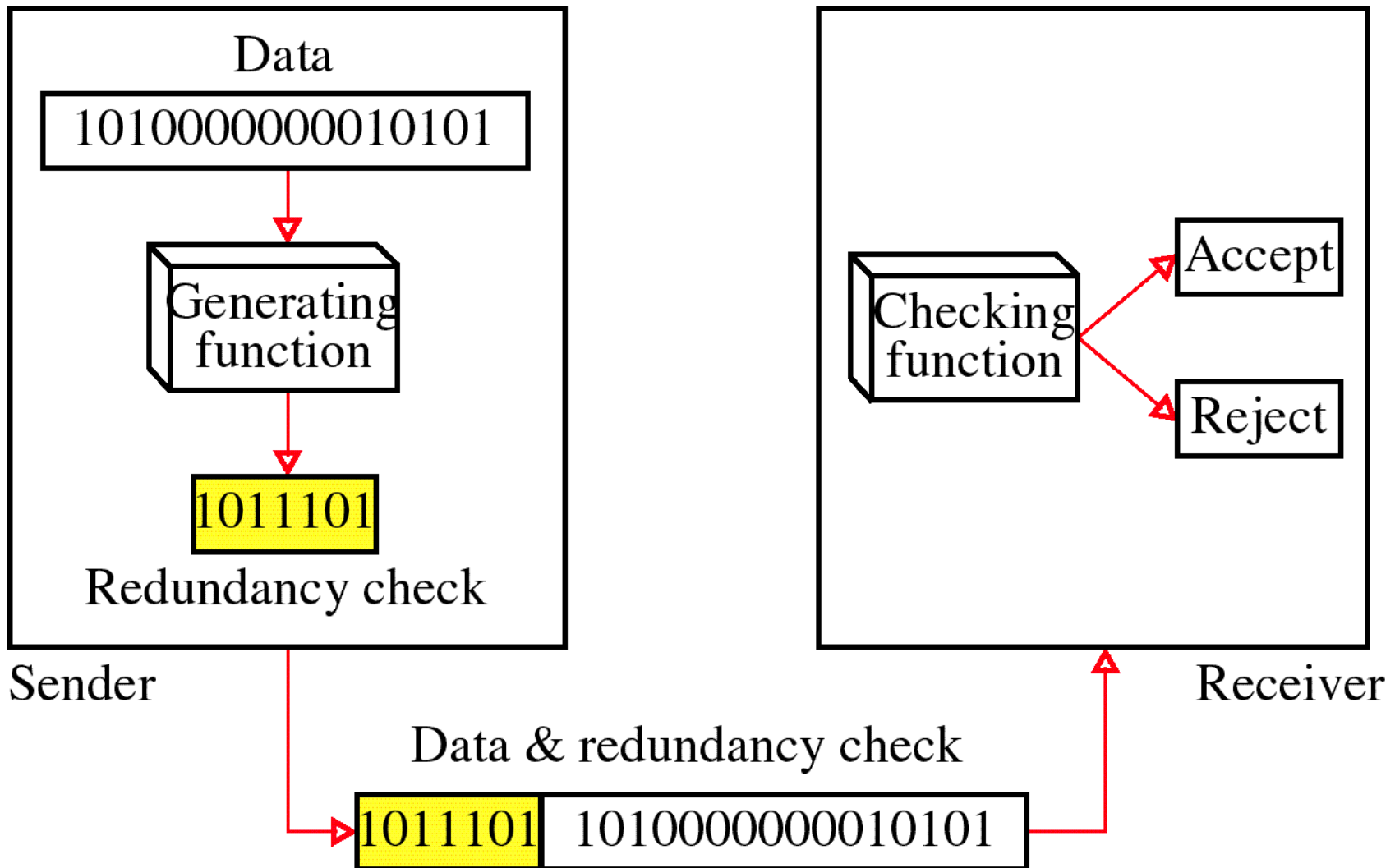
- ➔ If data is sent at rate = 1Kbps then a noise of 1/100 sec can affect 10 bits. $(1/100 * 1000)$
- ➔ If same data is sent at rate = 1Mbps then a noise of 1/100 sec can affect 10,000 bits. $(1/100 * 10^6)$

Error detection

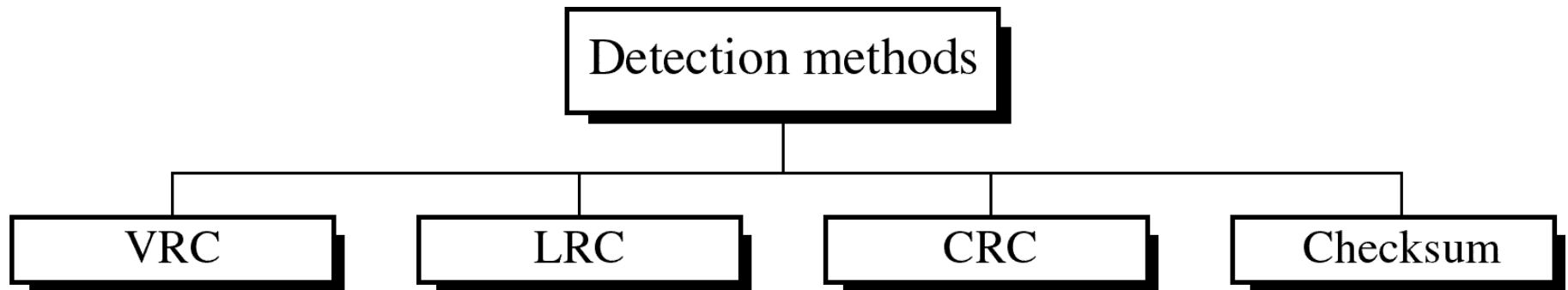
Error detection means to decide whether the received data is correct or not without having a copy of the original message.

Error detection **uses the concept of redundancy, which means** adding extra bits for detecting errors at the destination.

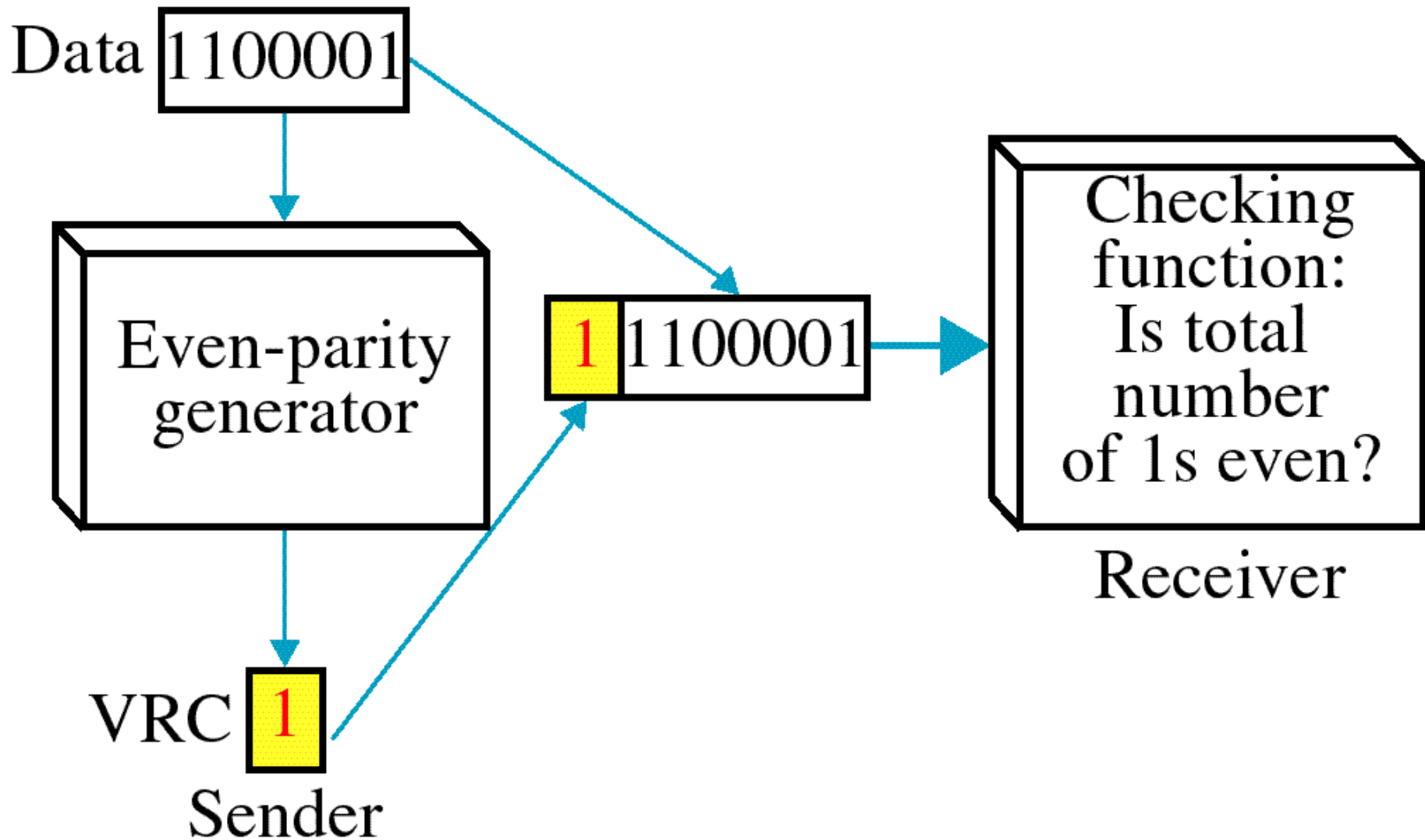
Redundancy



Four types of redundancy checks are used in data communications



Vertical Redundancy Check VRC

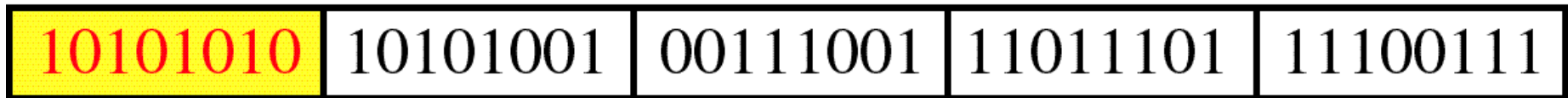


Performance

- ➔ It can detect single bit error
- ➔ It can detect burst errors only if the total number of errors is odd.

Longitudinal Redundancy Check LRC

Direction of movement



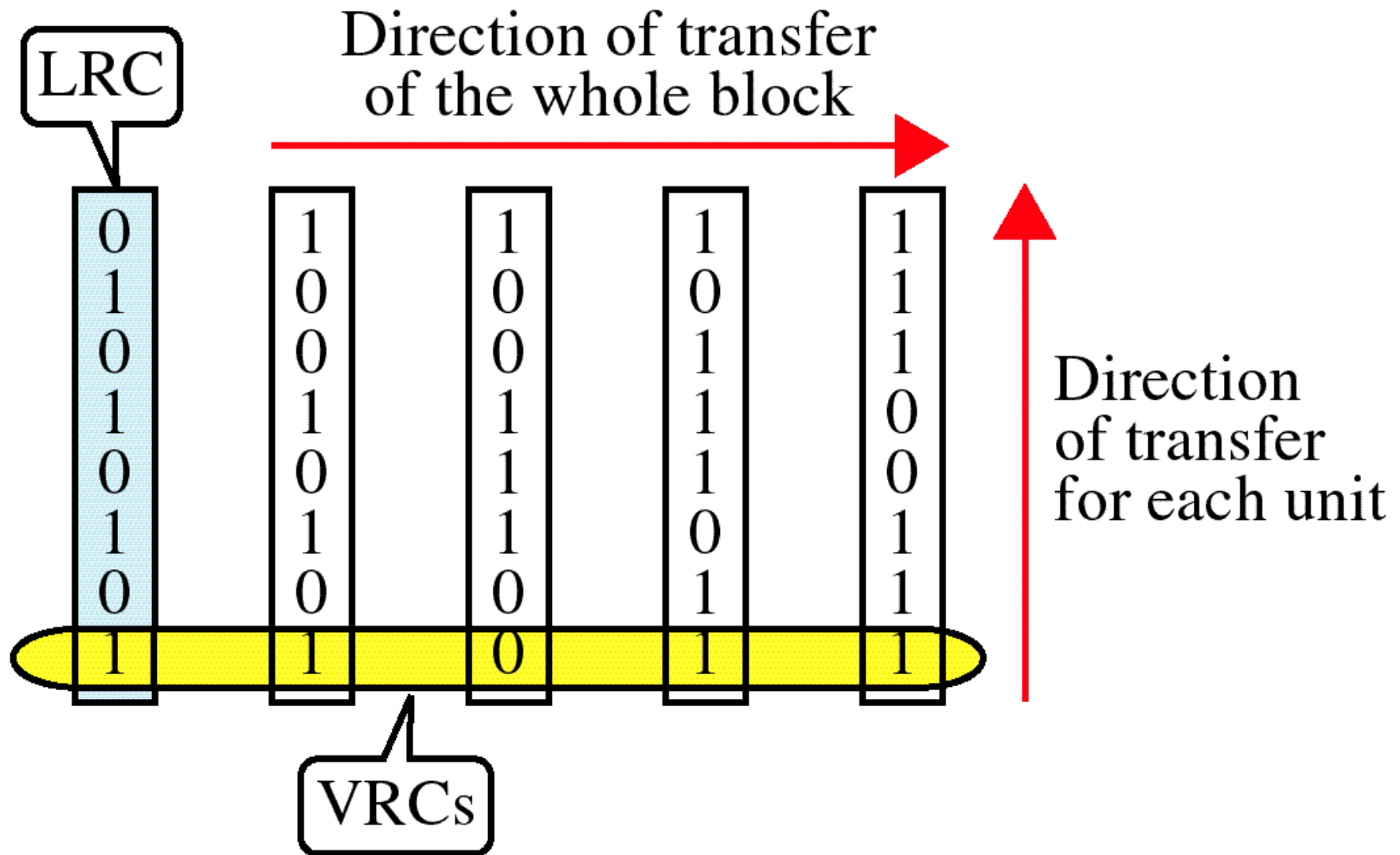
LRC

Data

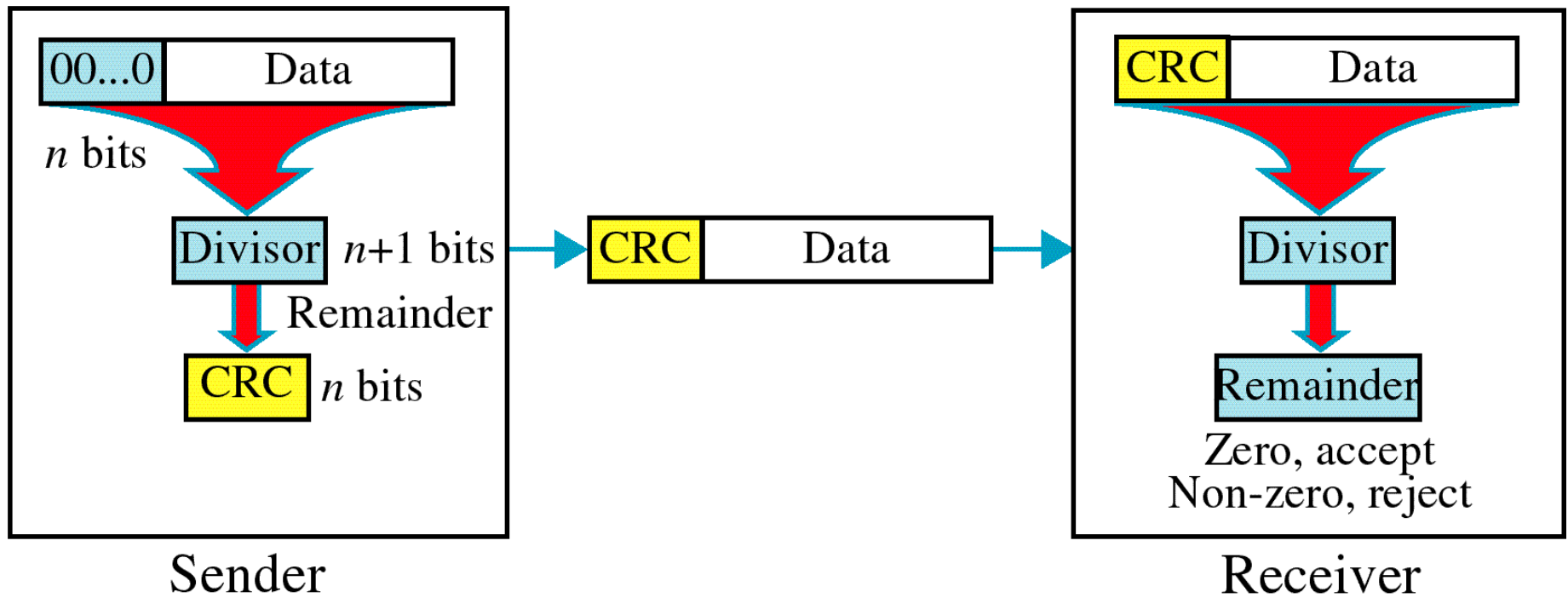
Performance

- ➔ LCR increases the likelihood of detecting burst errors.
- ➔ If two bits in one data units are damaged and two bits in exactly the same positions in another data unit are also damaged, the LRC checker will not detect an error.

VRC and LRC



Cyclic Redundancy Check CRC



Cyclic Redundancy Check

- Given a k -bit frame or message, the transmitter generates an n -bit sequence, known as a *frame check sequence (FCS)*, so that the resulting frame, consisting of $(k+n)$ bits, is exactly divisible by some predetermined number.
- The receiver then divides the incoming frame by the same number and, if there is no remainder, assumes that there was no error.

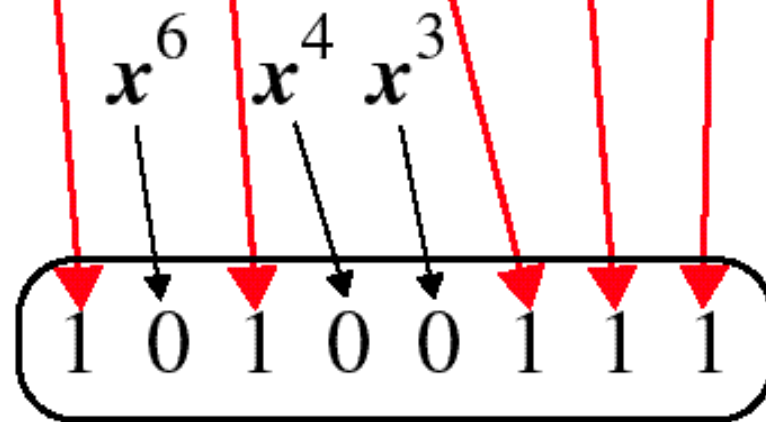
Polynomial

$$x^7 + x^5 + x^2 + x + 1$$

Polynomial and Divisor

Polynomial

$$x^7 + x^5 + x^2 + x + 1$$



Divisor

Standard Polynomials

CRC-12

$$x^{12} + x^{11} + x^3 + x + 1$$

CRC-16

$$x^{16} + x^{15} + x^2 + 1$$

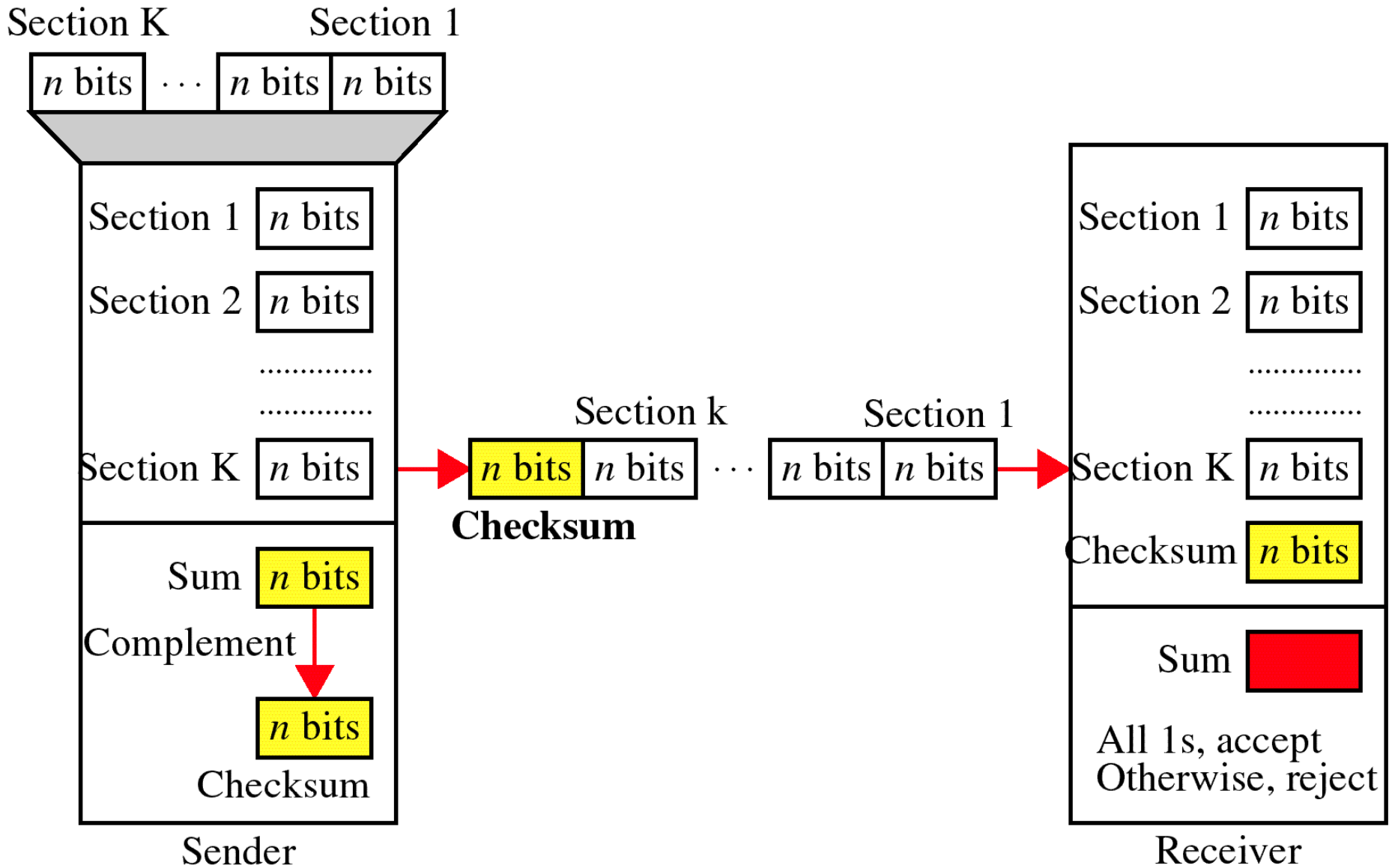
CRC-ITU

$$x^{16} + x^{12} + x^5 + 1$$

CRC-32

$$x^{32} + x^{26} + x^{23} + x^{22} + x^{16} + x^{12} + x^{11} + x^{10} + x^8 + x^7 + x^5 + x^4 + x^2 + x + 1$$

Checksum



At the sender

- ➔ The unit is divided into k sections, each of n bits.
- ➔ All sections are added together using one's complement to get the sum.
- ➔ The sum is complemented and becomes the checksum.
- ➔ The checksum is sent with the data

At the receiver

- ➔ The unit is divided into k sections, each of n bits.
- ➔ All sections are added together using one's complement to get the sum.
- ➔ The sum is complemented.
- ➔ If the result is zero, the data are accepted: otherwise, they are rejected.

Performance

- ➔ The checksum detects all errors involving an odd number of bits.
- ➔ It detects most errors involving an even number of bits.
- ➔ If one or more bits of a segment are damaged and the corresponding bit or bits of opposite value in a second segment are also damaged, the sums of those columns will not change and the receiver will not detect a problem.

Error Correction

It can be handled in two ways:

- 1) receiver can have the sender retransmit the entire data unit.
- 2) The receiver can use an error-correcting code, which automatically corrects certain errors.

Single-bit error correction

To correct an error, the receiver reverses the value of the altered bit. To do so, it must know which bit is in error.

Number of redundancy bits needed

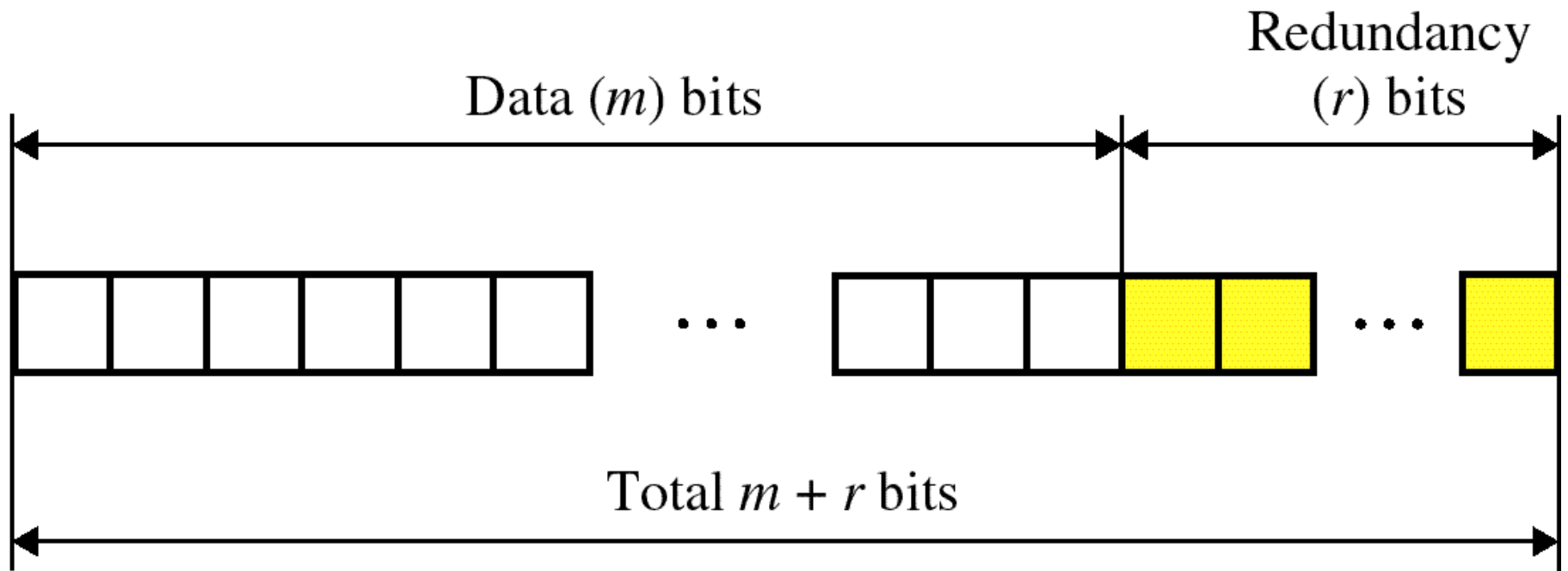
- Let data bits = m
- Redundancy bits = r

∴ Total message sent = $m+r$

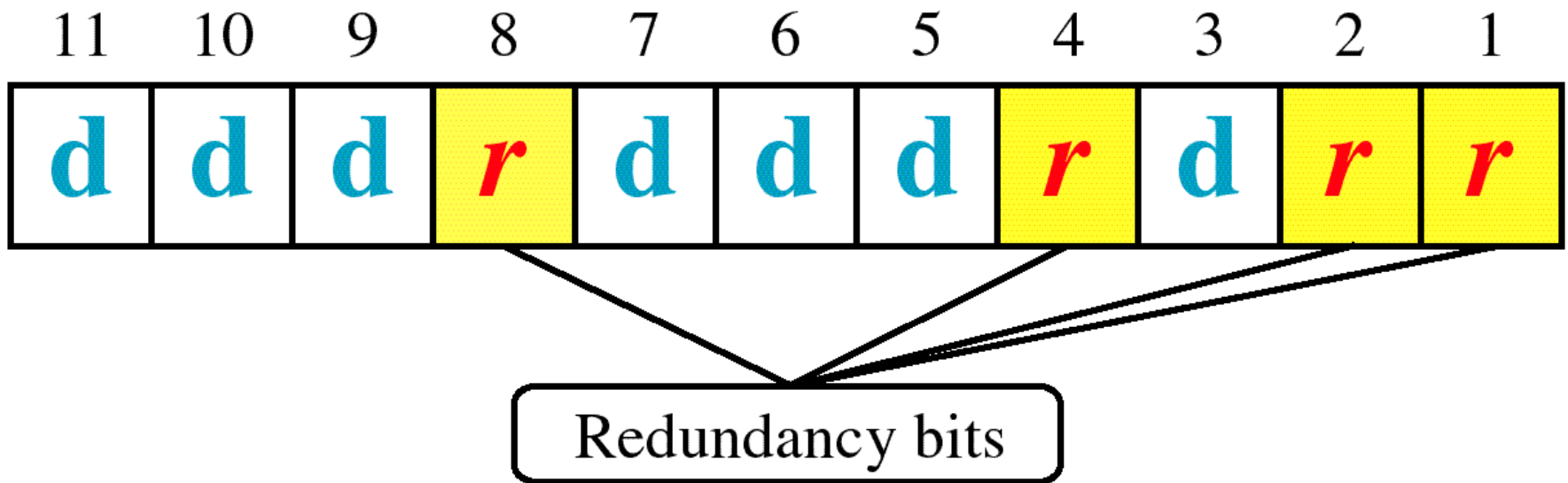
The value of r must satisfy the following relation:

$$2^r \geq m+r+1$$

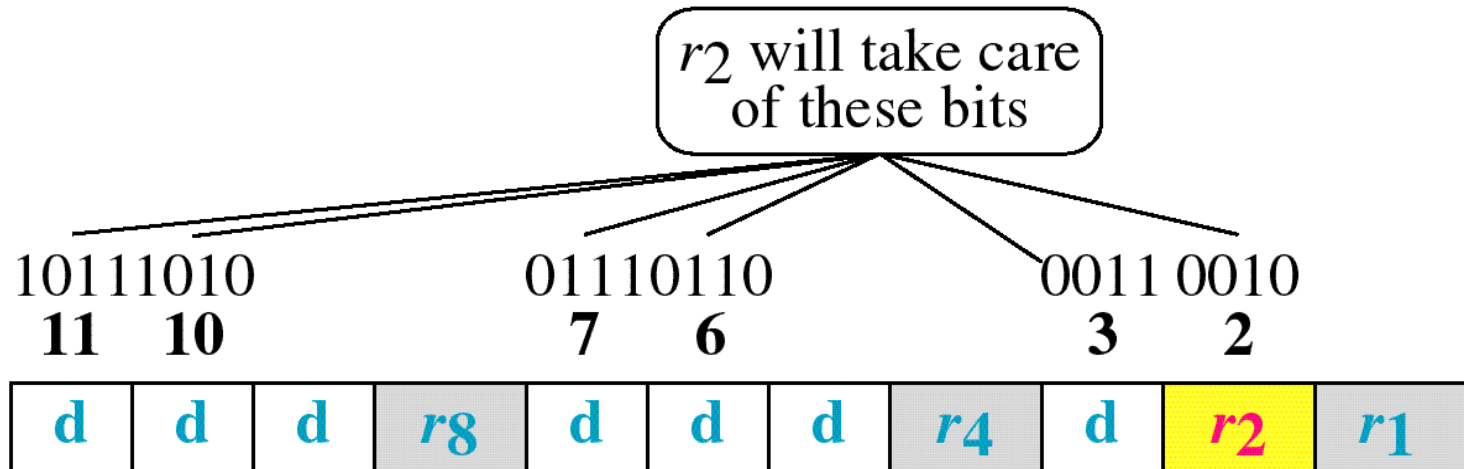
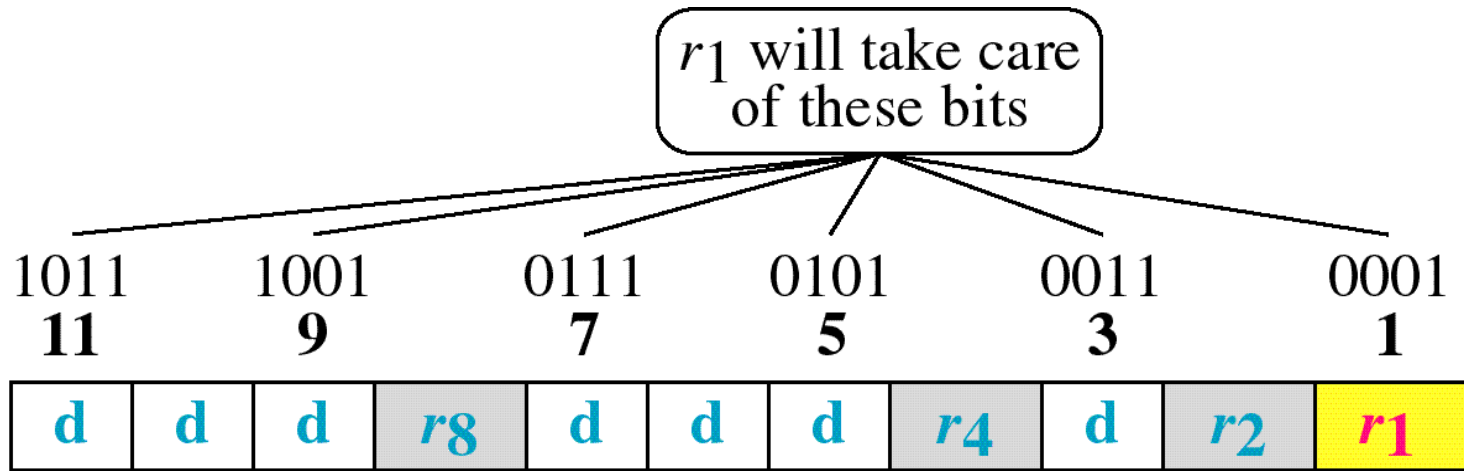
Error Correction



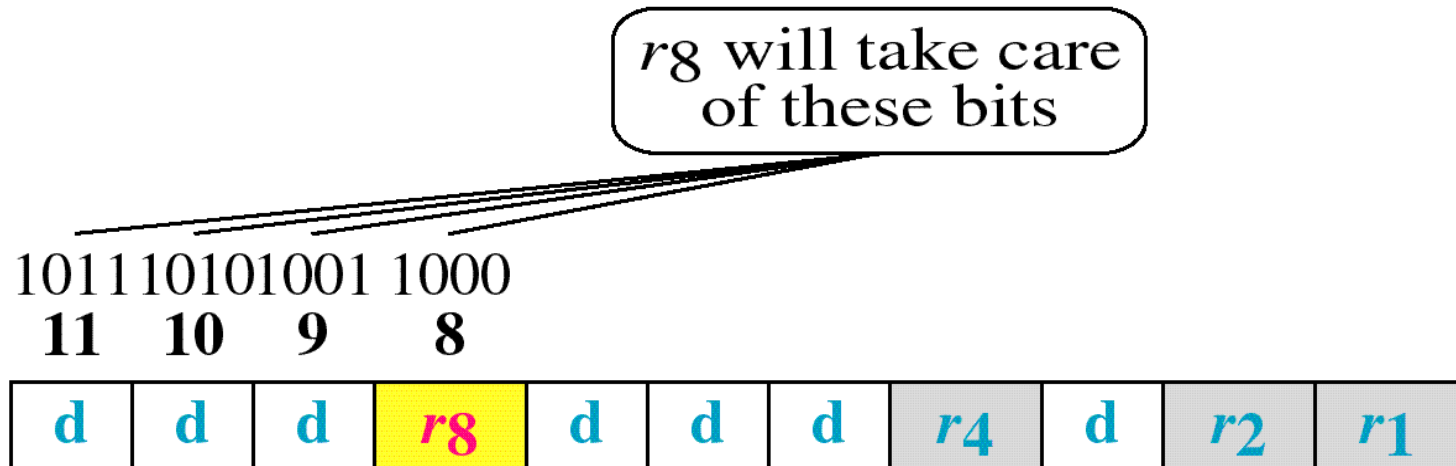
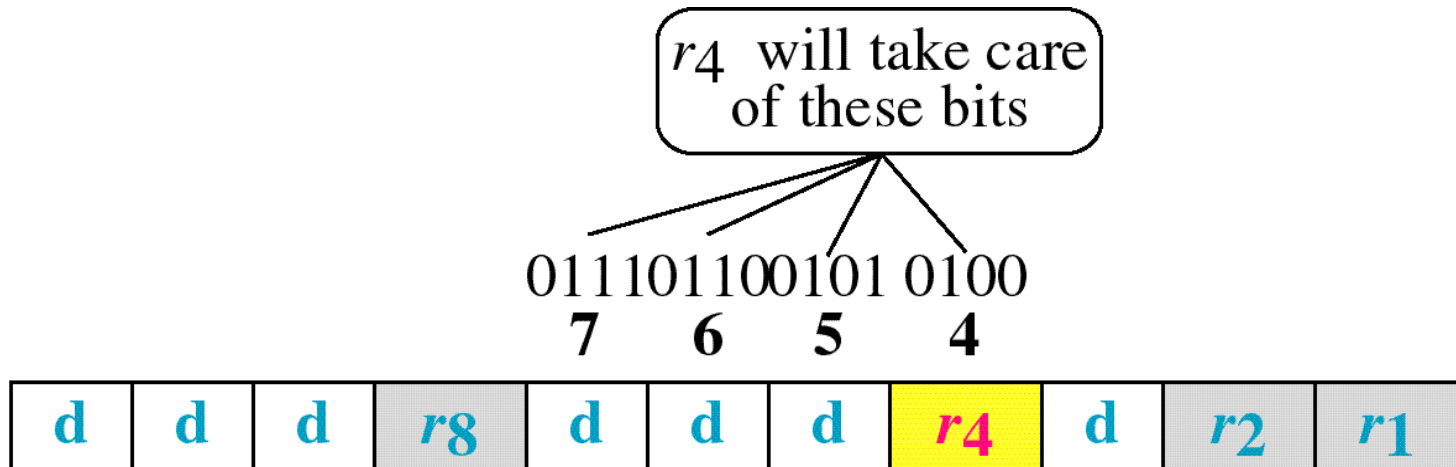
Hamming Code



Hamming Code

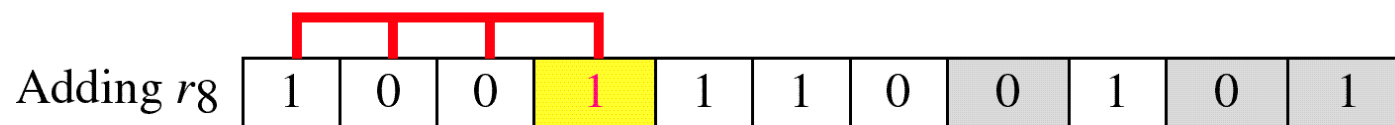
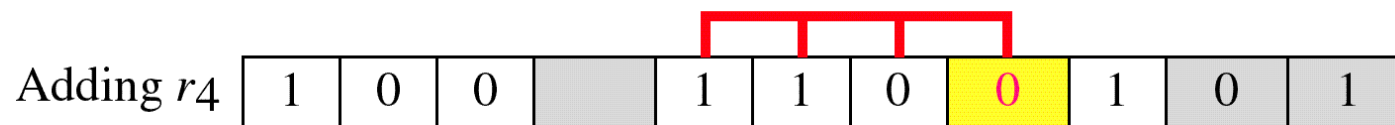
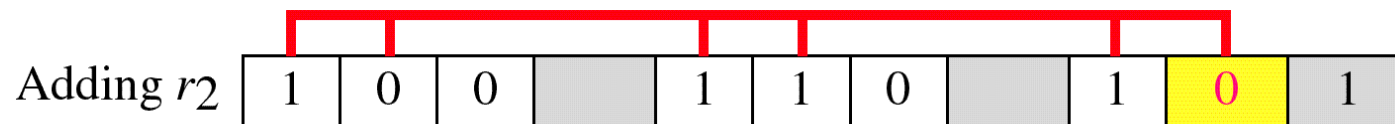
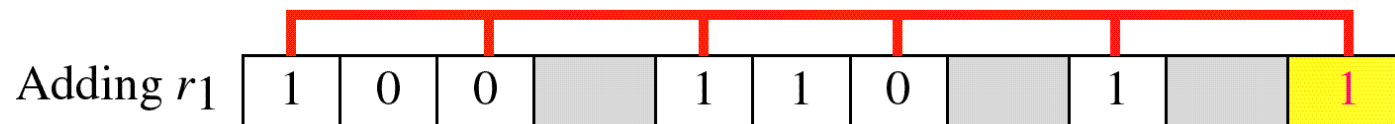


Hamming Code



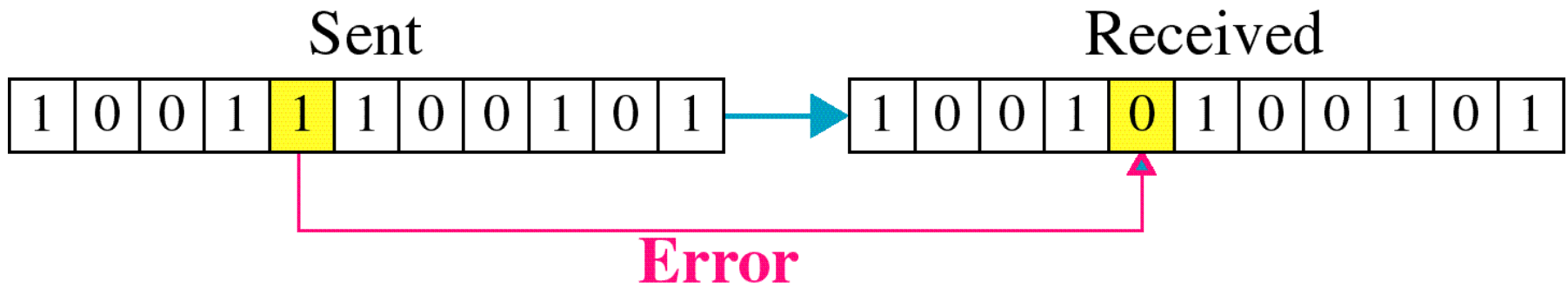
Example of Hamming Code

Data: 1 0 0 1 1 0 1

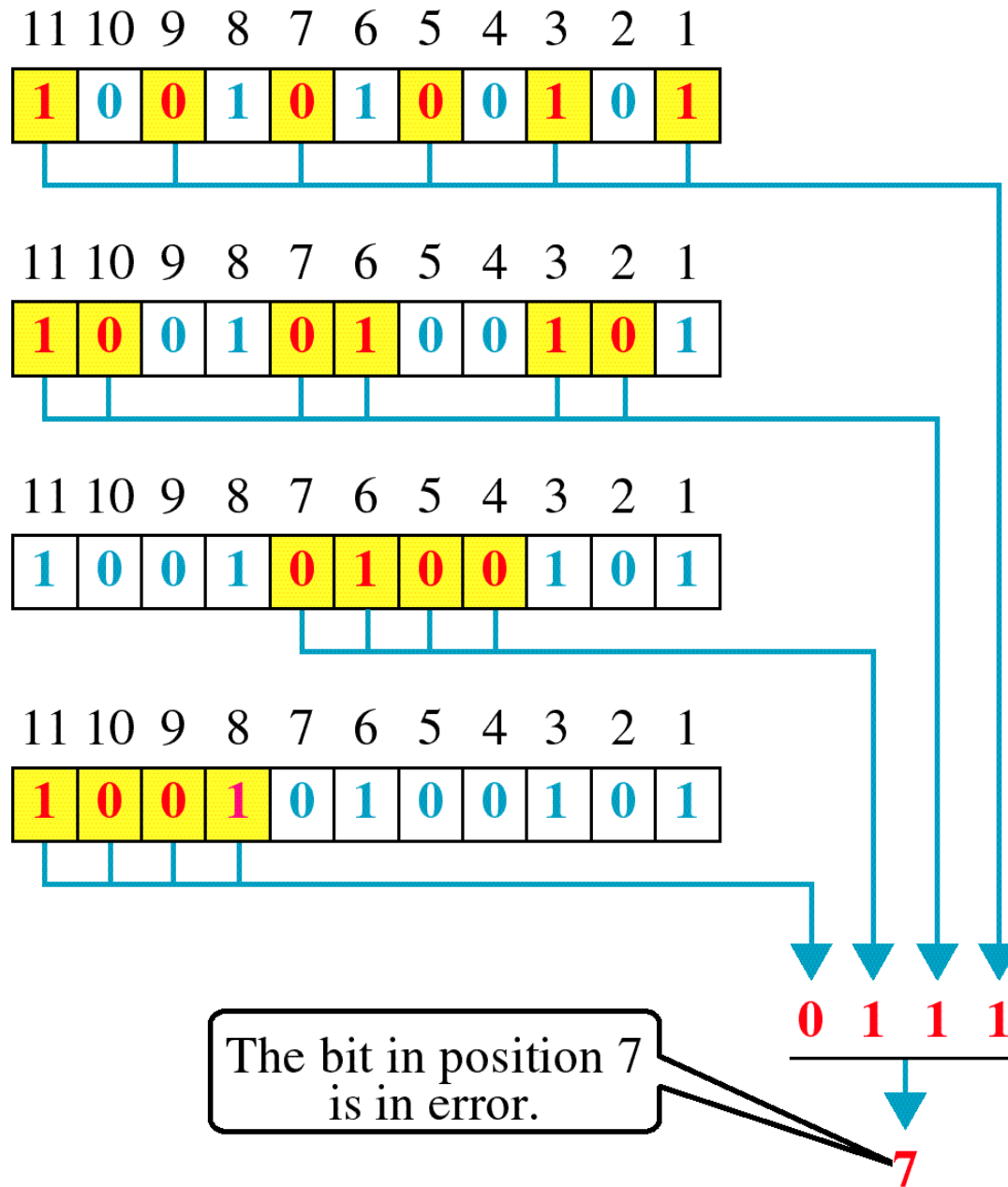


Code: 1 0 0 1 1 1 0 0 1 0 1

Single-bit error



Error Detection



Thank
you



gettyimages

100%