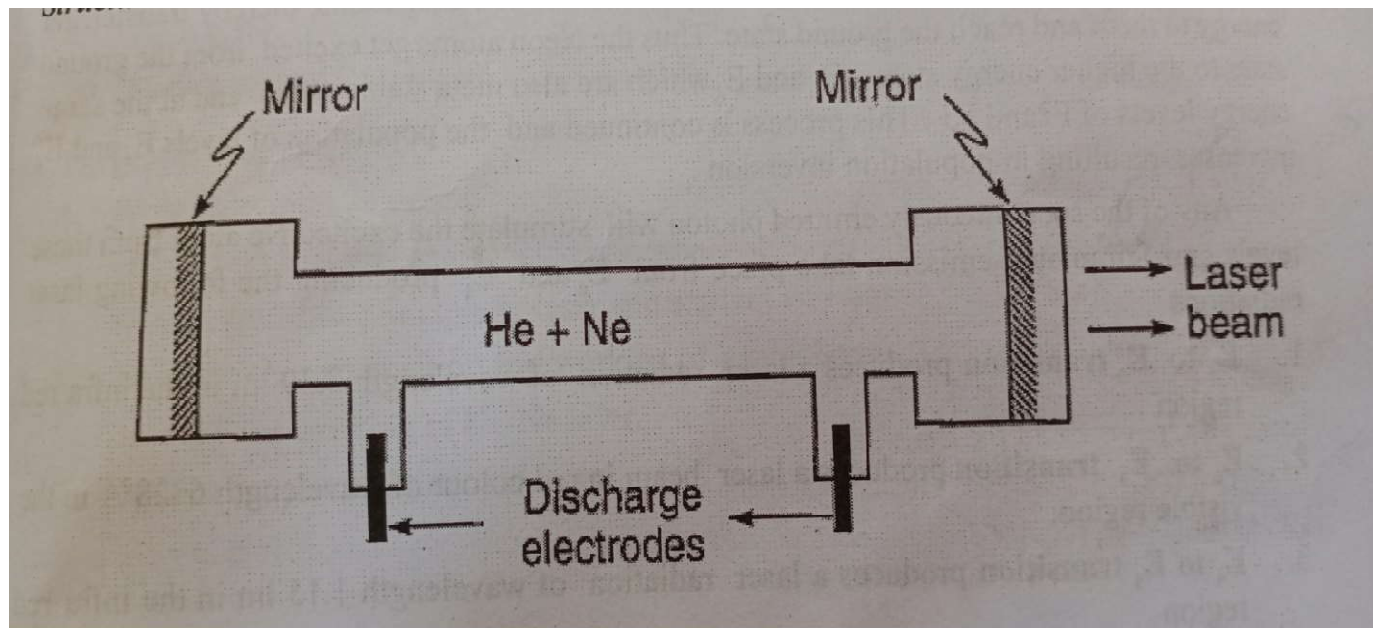


# He-Ne Laser

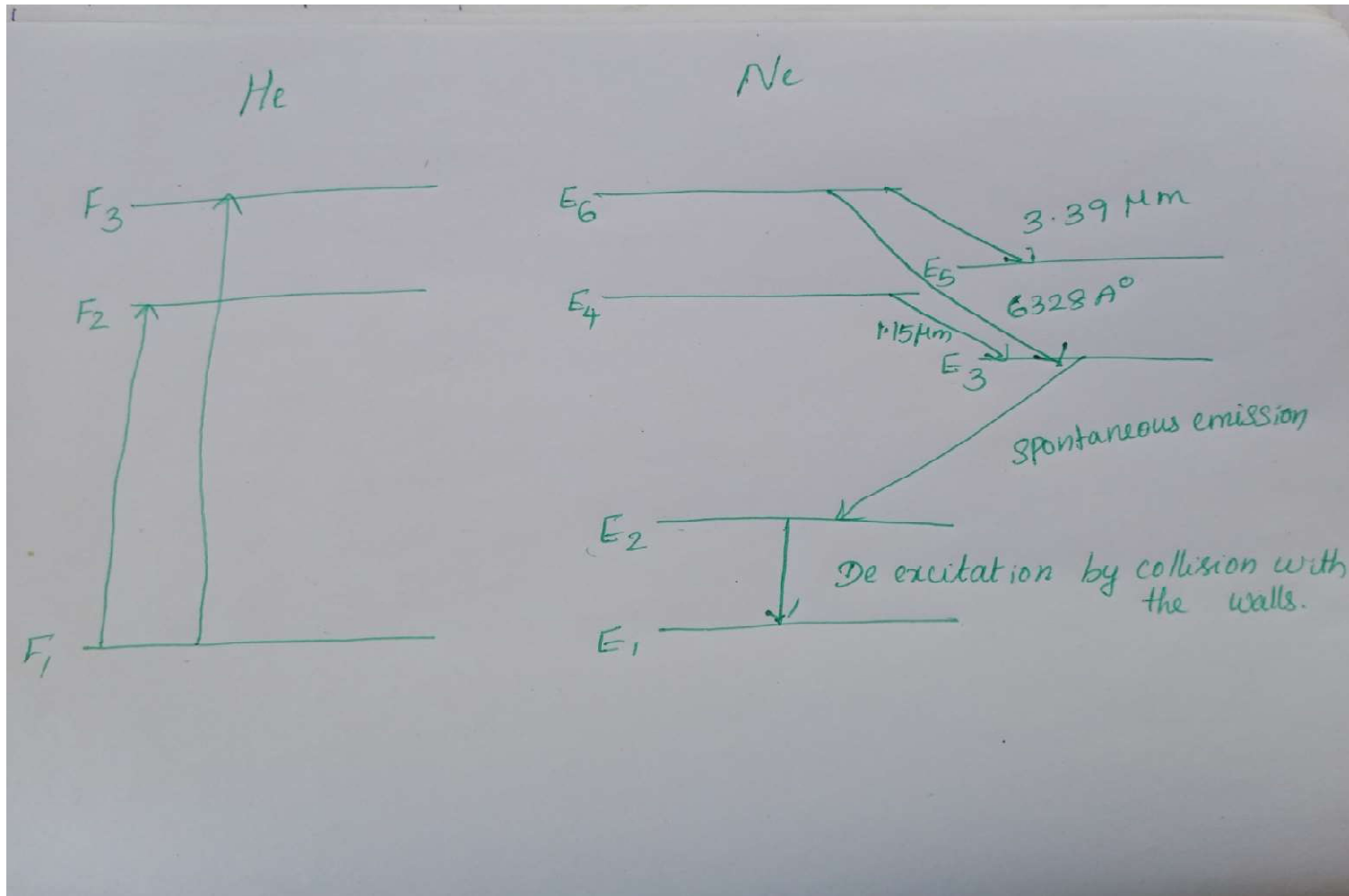
LALY A.S.  
ASST. PROFESSOR  
DEPT. OF PHYSICS  
LITTLE FLOWER COLLEGE  
GURUVAYOOR

- It produces red laser light and infrared laser light.
- It uses electrical pumping.
- It is a gas laser.
- Laser system consists of a discharge tube which contains Helium and Neon gas In the ratio 10:1.

working



# Energy level diagram



**THANK YOU...**